

SOA @ eBay : How is it a hit

Sastry Malladi

Distinguished Architect.

eBay, Inc.



Agenda



- The context : SOA @eBay
- Brief recap of SOA concepts and benefits
- Challenges encountered in large scale SOA deployments
- How is eBay addressing these challenges
- The role of SOA governance
- Summary

The Context : SOA @eBay



- It's a journey !
- History
 - One of the first to expose APIs /Services
 - Support REST style as well as SOAP style
 - Learned a lot from feedback from our customers and operational issues and evolved our technology over time
 - Early adopters of SOA governance automation
 - Continuously improving the architecture with the 3 goals in mind : Business Agility, Innovation and Operational Excellence
- Technology stack
 - Mix of highly optimized home grown core SOA framework as well as best of breed commercial and open source components , integrated together
- Goals
 - Organize the enterprise as a set of reusable business functions
 - Reduce the cost of new features and applications
 - Encourage and enable new business opportunities

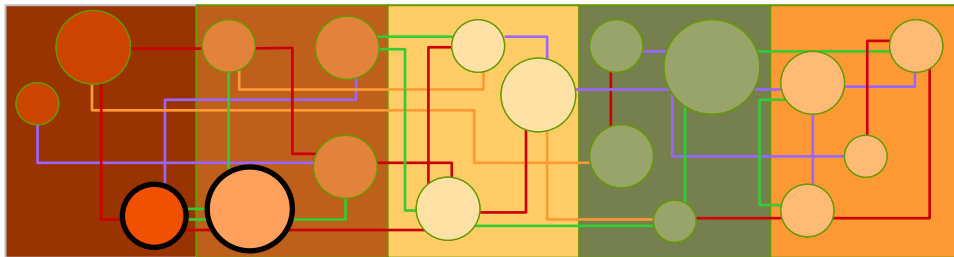
Agenda



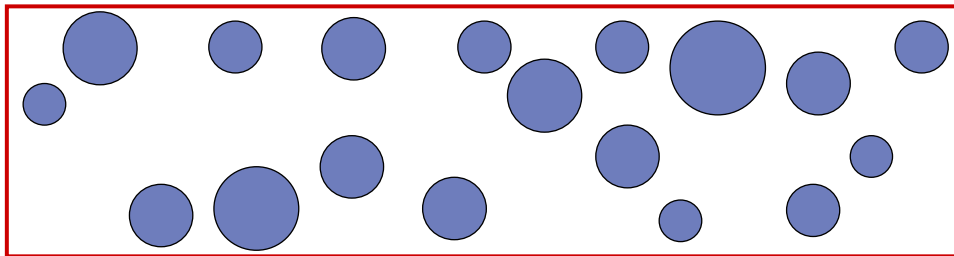
- The context : SOA @eBay
- **Brief recap of SOA concepts and benefits**
- Challenges encountered in large scale SOA deployments
- How is eBay addressing these challenges
- SOA governance and its role
- Summary

What is SOA?

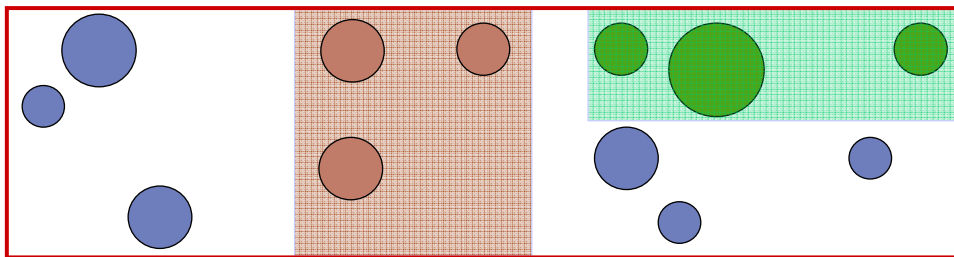
SOA is an *Application Architecture evolution*, not a *Technology revolution*



SOA is an architecture to move from brittle, hardwired, application silos that inhibit change...



... to shared, reusable, business and application services...



... which eliminates application redundancy and complexity, and enable Business Agility, Innovation and Operational Excellence.

SOA - Not just technology

Technology

- SOA Run-time stack
- Integrated tooling
- Infrastructure services
- Registry/Repository
- Routing

SOA

People

- Think SOA
- Promote Reuse
- Biz and IT alignment
- Training & Docs

Process

- Life-cycle and governance
Processes for Service Interface Approval, Security, change mgmt, etc.
- PDLC changes

Some common Misconceptions dispelled

SOA is a new technology



It's a new architecture paradigm applied to existing or new technologies

SOA implies Web Services and SOAP



WS/SOAP is not an exclusive protocol. REST style with JSON, NV is equally popular, if not more.

SOA is an end in itself



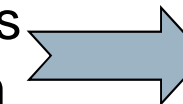
SOA is a means to enable business agility

Services are always developed from ground up



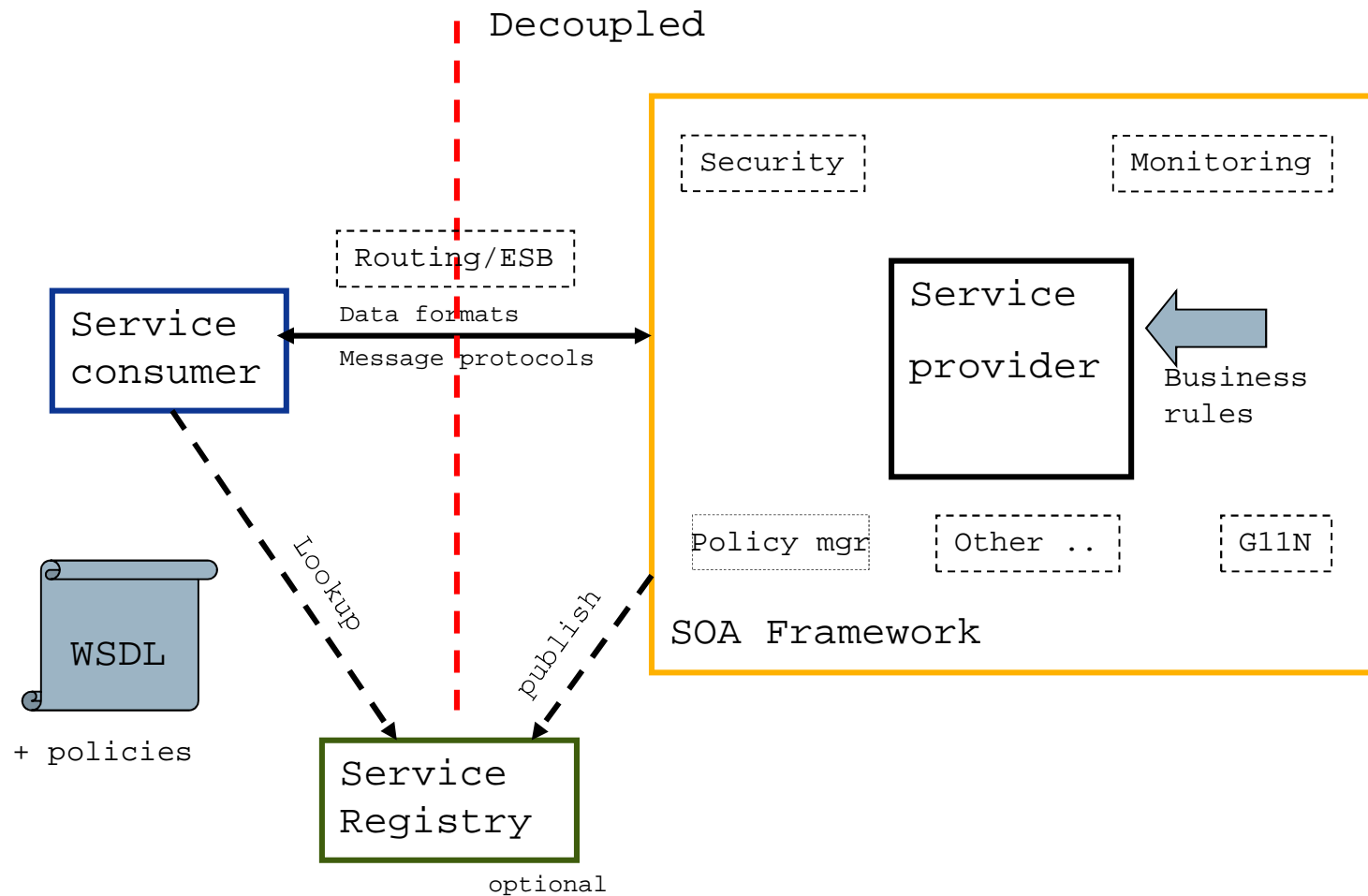
Business always leverage existing functionality, but morph them into services and develop some new services on the way

At service development time, its consumers/usecases are known



Service development may start with some usecases in mind, but they will evolve over a period of time

SOA model from 30,000 feet – You already know !



SOA benefits

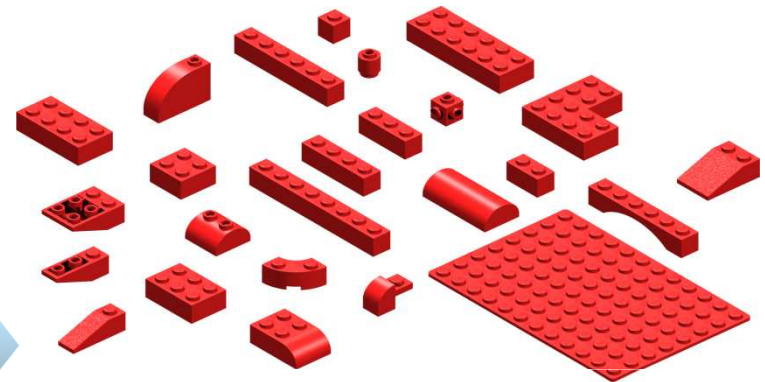


- Business Agility
 - Faster time to market for new business offerings
 - Quicker response to business change
 - Easier integration with partners and third parties and adjacencies
- Innovation
 - Enable internal and external Innovation
- Operational excellence
 - Reduced cost for any new feature development by service re-use
 - Efficient resource utilization
 - Reduced cost of failure

SOA Benefits – Enabling possibilities



TODAY



TOMMOROW



FUTURE

Terminology



- Service
 - Well defined piece of functionality, with a defined interface, with fully encapsulated business logic and data, that is managed and exposed consistently, and which is independent of any data formats and message protocols
- Data Binding/Format
 - Also referred to as Wire format
 - The format in which the data is represented on the wire (e.g XML, NV, JSON, BinaryXML, ..)
- Message Protocol
 - The protocol followed by the client and service when exchanging messages (e.g, SOAP). There need not be any message protocol present (especially when communicating with internal services)
- Transport protocol
 - Protocol used at the transport level (e.g HTTP, SMTP)

Agenda



- The context : SOA @eBay
- Brief recap of SOA concepts and benefits
- **Challenges encountered in large scale SOA deployments**
- How is eBay addressing these challenges
- SOA governance and its role
- Summary

General SOA Challenges



- **Technical**

- Additional latencies due to multi-hop communications
- Debugging/Tracing is harder
- Need for efficient Request/Session level caching
- Increased Security and monitoring challenges
- Multiple, often competing standards

- **Operational**

- Developer adoption and learning curve
- Governance processes
- Migration of existing Apps
- Updates to existing tools and processes.
- Deployment and rollout
- Measurement of progress and ROI

Further challenges in large scale deployments

• Technical

- Co-existence of old and new technologies during transition phase
- Supporting internal and external clients that have different protocols/data binding needs, for the same service deployment
- QoS and SLA management
- Integration testing
- High availability and Scalability – high volume and low latency
- Decomposition of existing apps and migration of legacy services

• Operational

- Version and dependency management
- Impact to existing operational tools/environment
- Time to Market pressures
- Need for a strong yet simple governance process, especially with lots of services and the higher velocity of changes



Agenda



- The context : SOA @eBay
- Brief recap of SOA concepts and benefits
- Challenges encountered in large scale SOA deployments
- **How is eBay addressing these challenges**
- SOA governance and its role
- Summary

Addressing the challenges



- **Technical**

- Light weight and high performant SOA platform (mix of home grown and commercial/open source components)
- Unified Testing framework and service virtualization
- Model-driven Service decomposition
- Support for REST style as well as SOAP style from the get go (i.e, support for flexibility of protocols/data formats)

- **Operational**

- Strong and yet flexible governance processes and life cycle management
 - Automated through a service registry/repository
- Incremental service deployment
- Strong operational management tools
- Developer training and incentives for being a good citizen
- Formal process and tools to measure adoption and progress. Haven't yet formalized the ROI measurement however.

eBay SOA Platform Overview



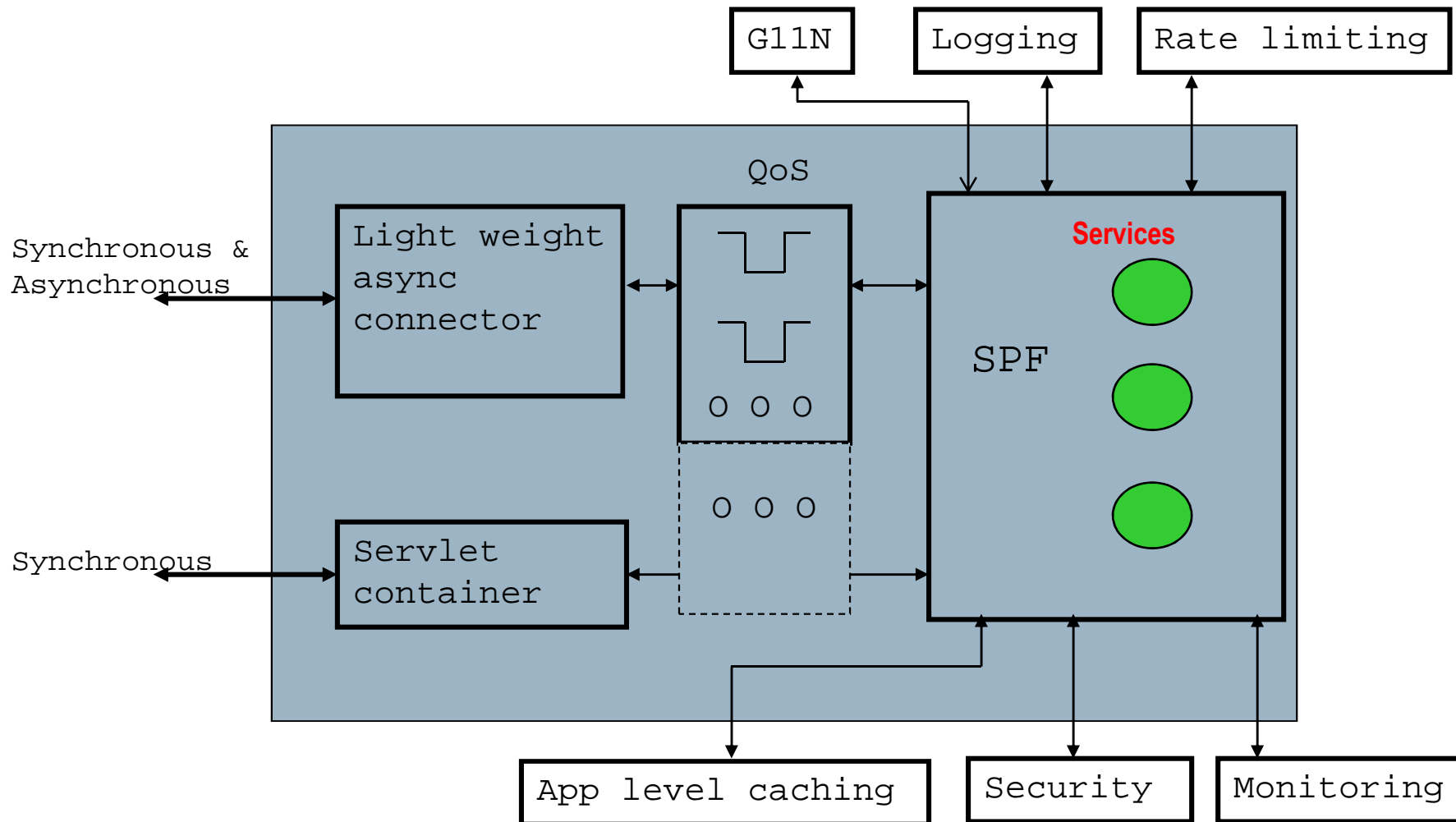
- A comprehensive SOA Infrastructure platform
 - **Framework** - Highly performant, extensible and light weight framework (overhead < 5 ms)
 - **Monitoring** - A built in monitoring subsystem that is customizable
 - **Security** – XACML/WS-Policy based flexible and extensible authentication and authorization policies
 - **Rate Limiting** - For enforcing capacity, budgeting and traffic control
 - **Service Registry and Repository** – Governance, life cycle management
 - **ESB** - For routing, transformations and mediations
 - **Orchestration engine** – For orchestrating services and other components
- Tooling
 - Developer tools (eclipse plugins) for service/consumer development, types management and error management
 - Operational tools (management, monitoring and alerting)

SOA Framework - Highlights

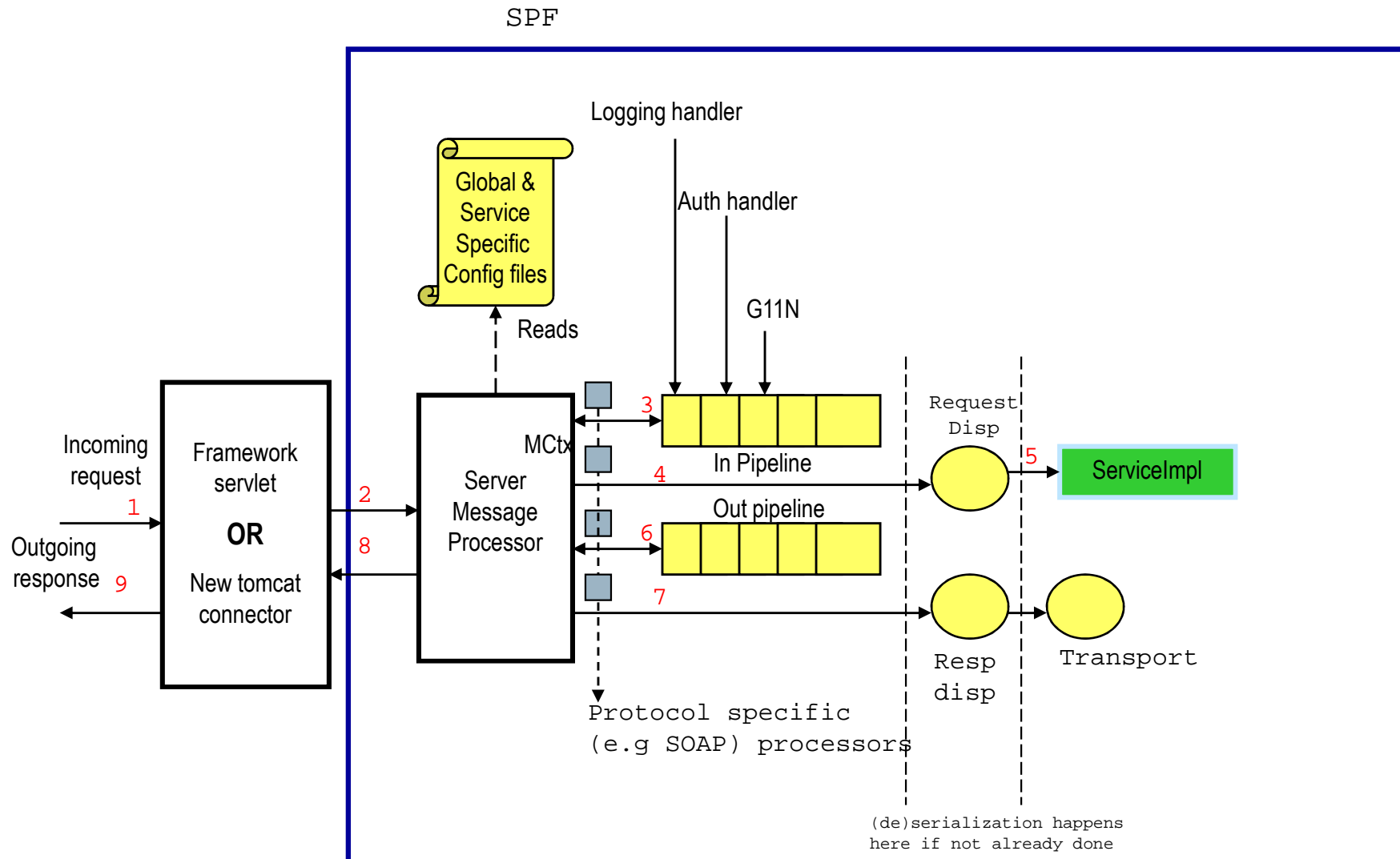


- A declarative Pipeline based high performance architecture
- Request and Response decoupling
- Protocol and data binding agnostic service
 - The same service instance can be invoked using multiple protocols and data formats
 - No message normalizations or conversions
- Pluggable data formats
 - Out of the box support for SOAP, REST, JSON, Binary XML
 - Streaming and attachment support
 - WSDL with SOAP and HTTP bindings
- Pluggable transports, including local binding
- Declarative , deployment time “Local Binding” option
- G11N, Versioning, Error management, QoS etc.

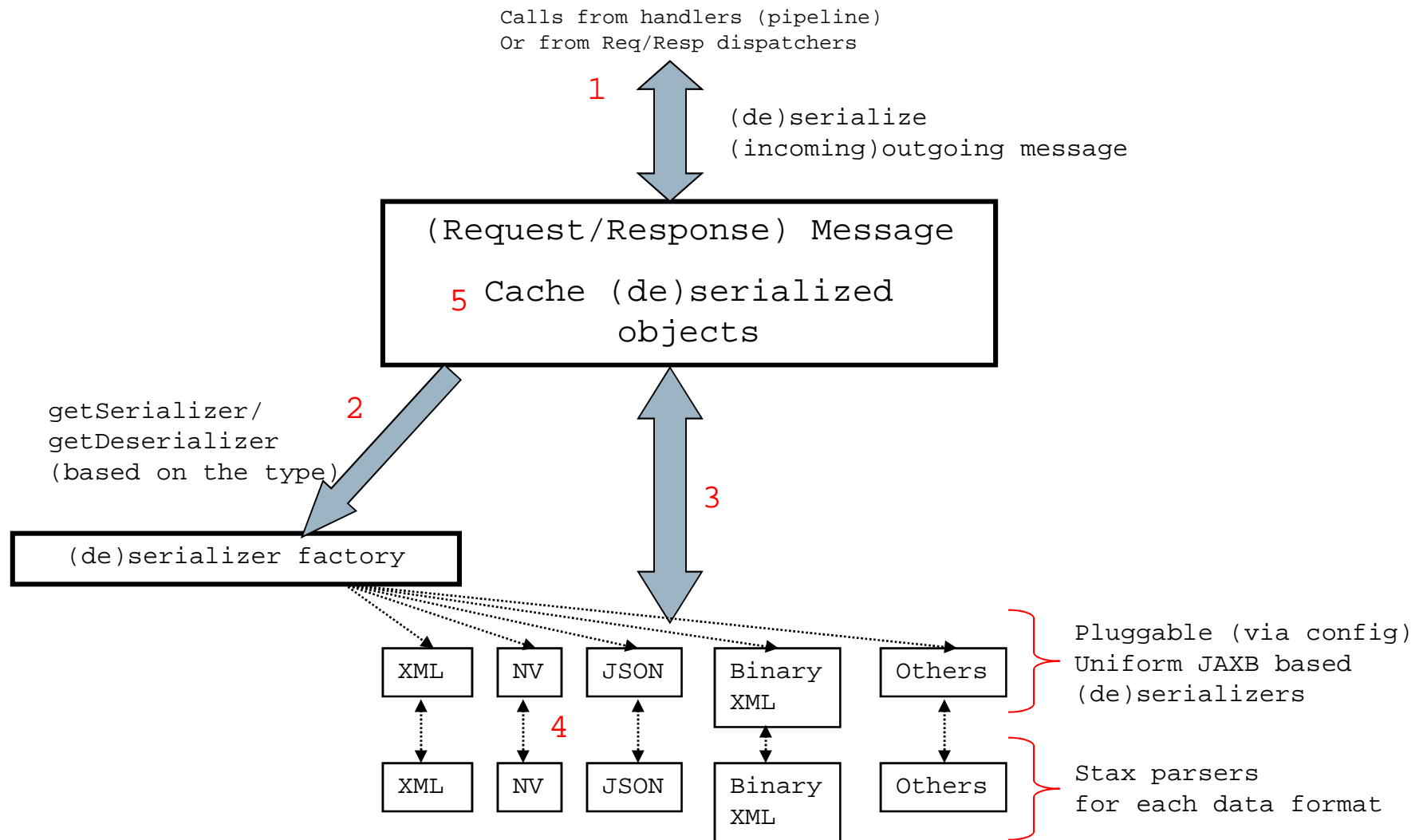
Model within the App Server



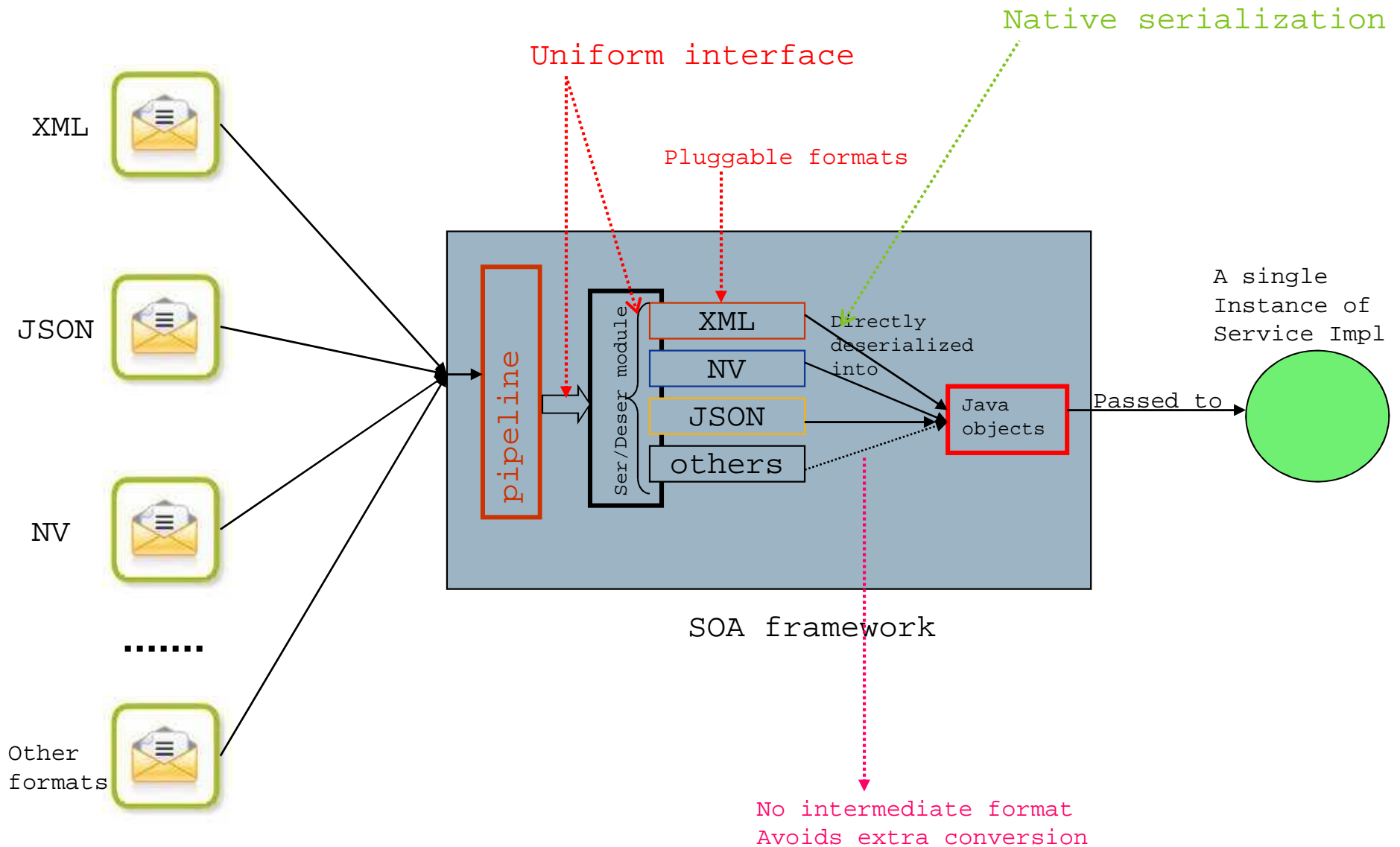
Pipeline architecture – provider framework



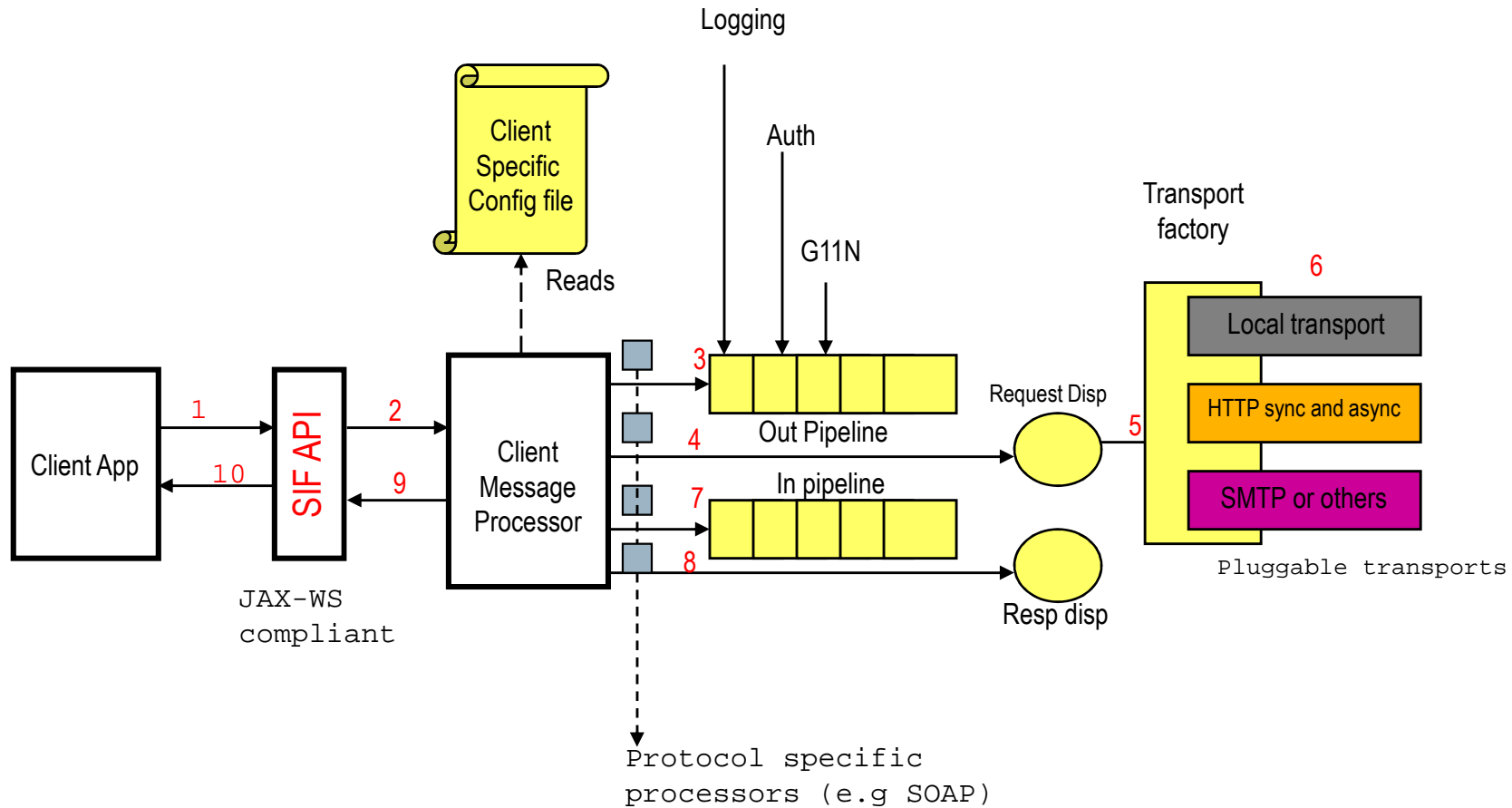
Pluggable data formats using JAXB



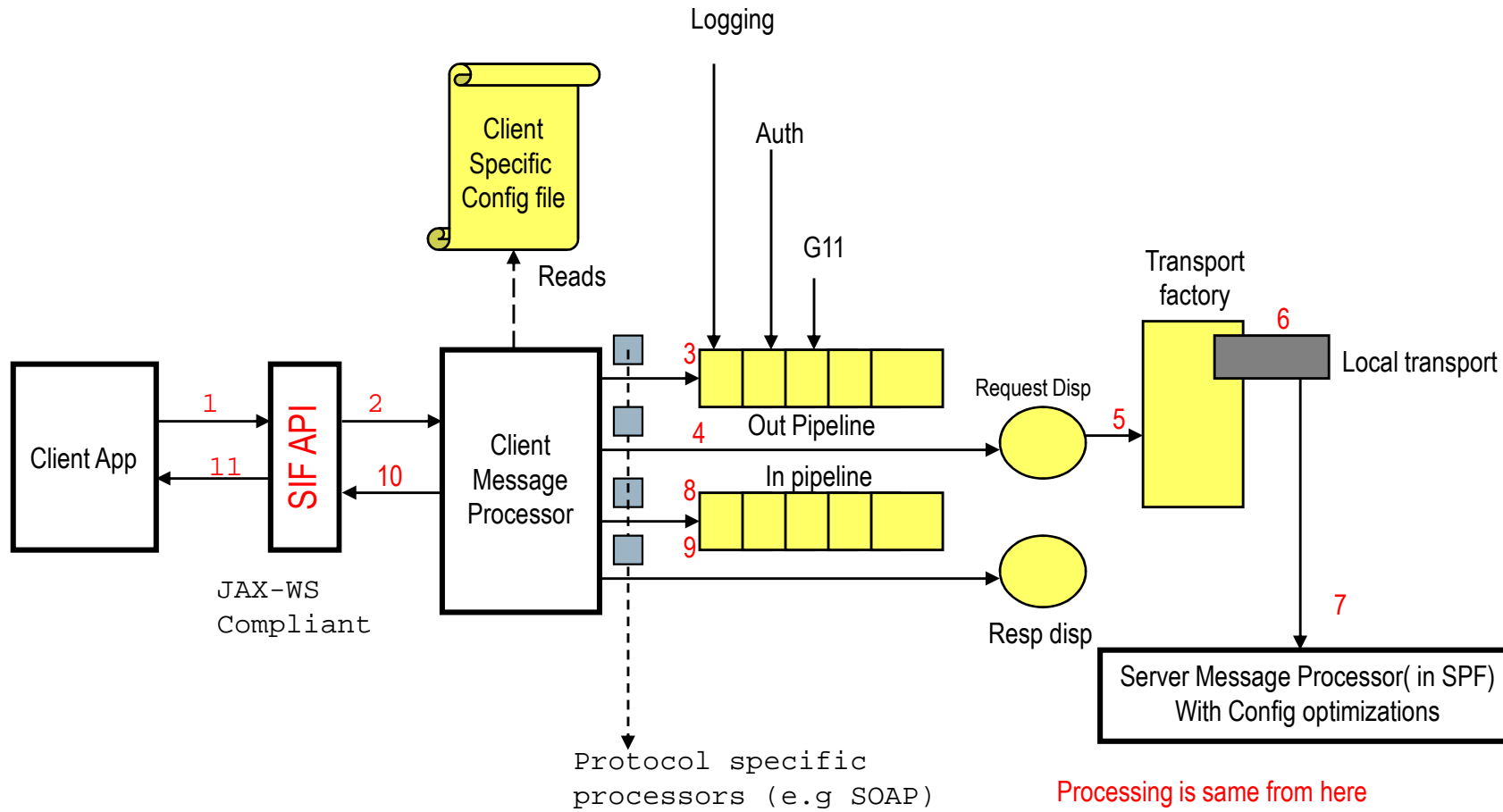
Native and uniform (de)serialization



Pipeline Architecture – Consumer Framework



Local Binding

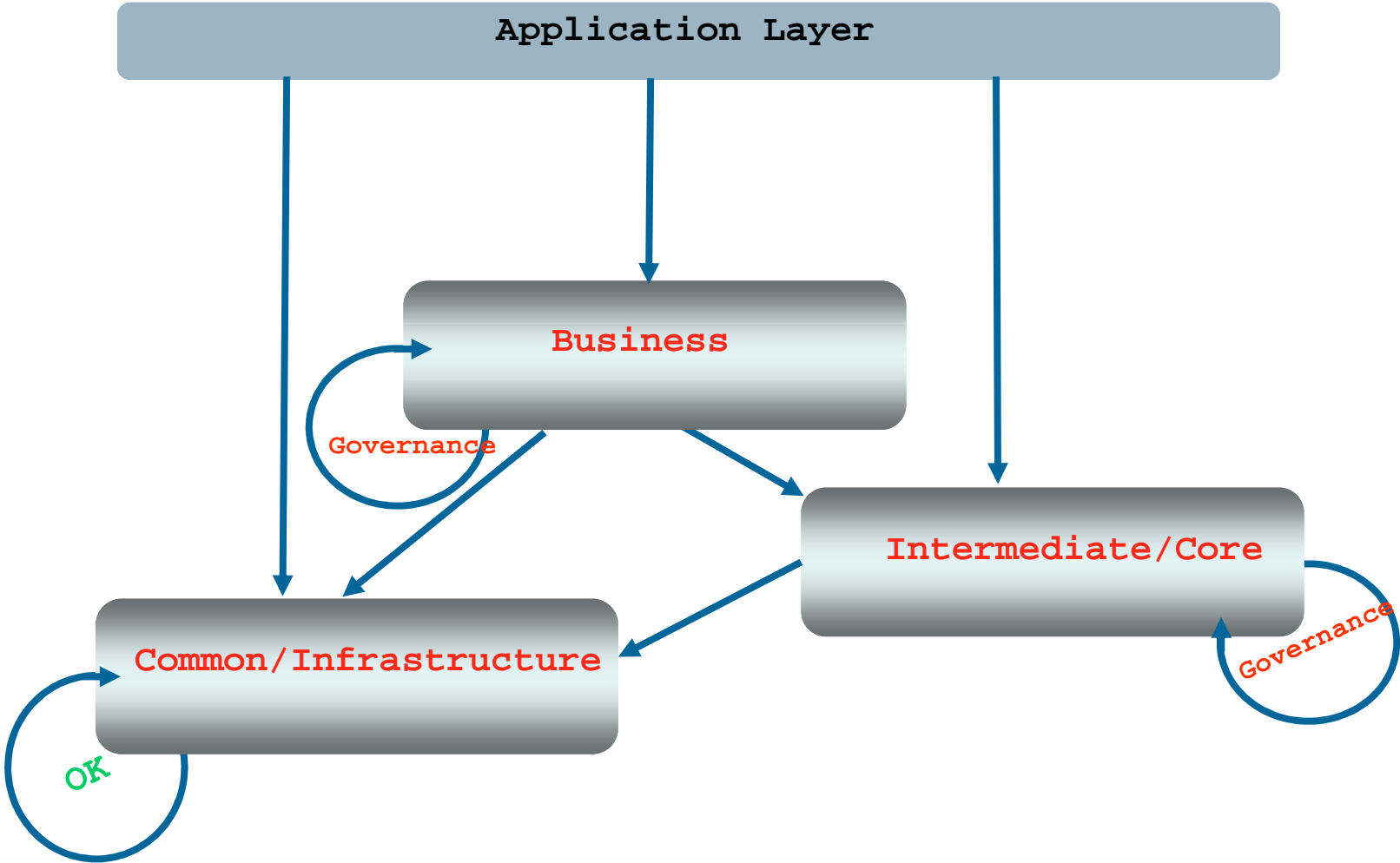


Service Layers and Taxonomy



- Defining a finite set of service layers and their relationships
- Goals
 - Provide a mechanism to build and layer services that have different characteristics
 - Enable service lifecycle management for services with different scopes of impact
 - Clearly establish rules on what functionality can be implemented in which layers
 - Define allowed access patterns between layers
 - Enable better dependency and rollout management

Our specific taxonomy (for example sake only)



Integrated Tooling

- Developer tooling well integrated with Eclipse IDE
 - Integration with the Service registry and governance processes.
 - Dependencies are checked at design/development time itself
 - Versioning and backward compatibilities are enforced
 - Testing : Generation of tests and a mechanism to enforce successful running of the same
- Deployment tools
 - Dependency checking and rollout in that order
 - Rollback support
 - Local Vs Remote binding
 - Life-cycle management and change notifications
- Operational tooling
 - Management and monitoring dashboard
 - Alerting and SLA management



Note : Some this is still work in progress

Agenda



- The context : SOA @eBay
- Brief recap of SOA concepts and benefits
- Challenges encountered in large scale SOA deployments
- How is eBay addressing these challenges
- **SOA governance and its role**
- Summary

What is SOA governance



- A set of activities related to exercising control over design, development and life-cycle of Service providers and Service consumers, for consistency manageability and for promoting re-use (subset of IT governance)
- Design time
 - Interface and types design review and approval
 - Enforcement of consistency guidelines for contract (interface, policies and behavior)
 - Enforcement of dependency and layering guidelines
- Runtime
 - Deployment policies
 - Security/caching/monitoring/availability policies
 - Reconciliation between what it is (runtime) and what it should be (design)
- Change management
 - Dependency and impact analysis
 - Versioning (both major and minor) of existing services
 - Making sure existing subscribed clients don't break.
- Many industry vendors provide this product
 - Not a very mature space however

SOA governance at eBay



- Service Repository
 - Metadata management and life cycle management of services, data types and Consumers
 - Automated Governance processes
 - Dependency and Impact analysis
 - Closed loop governance
- Service Registry
 - A subset of the repository (without the governance process), light weight access, supports UDDI access
 - Used for routing purposes
- Implementing SOA governance is crucial for success of our large scale deployments

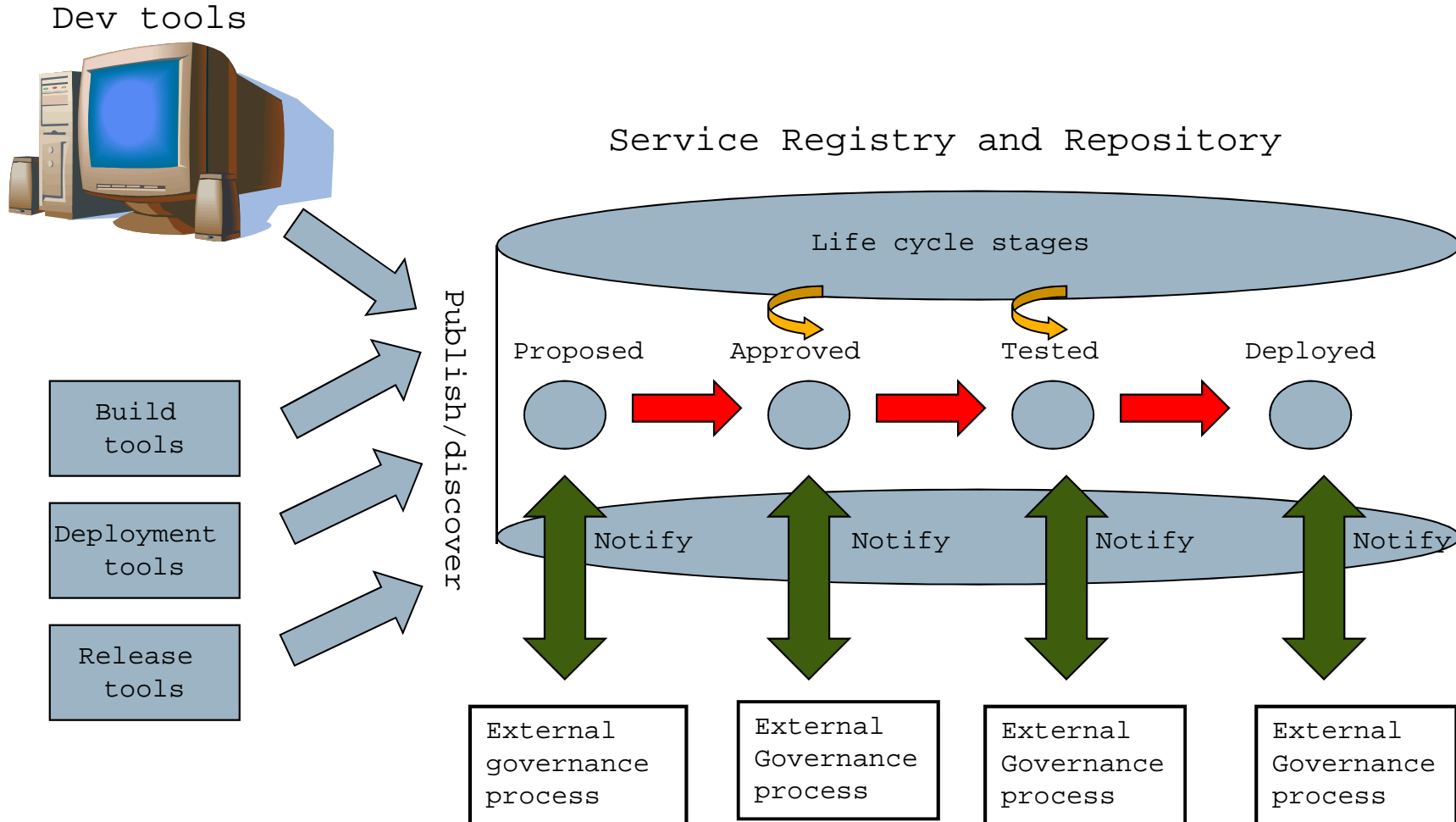
Note : Some of this is still work in progress.

Design time governance



- Defined a light weight, yet flexible process
 - Both services and data types are managed and life cycled
 - An automated workflow logic that transitions the services through its life cycle states
 - Formal interface (WSDL) and policy (Security, Rate Limiting, Availability) reviews and approvals
 - Automated XQuery based assertions to validate WSDL guidelines
 - Integrated with our SOA eclipse plugins for seamless developer experience
 - Consumer governance to track and manage service consumers

Governance process - Sample



Runtime governance



- Monitor dependencies and policies at runtime
- Feed the runtime data into a reconciliation process that compares what it is Vs what it should be
- Address any discrepancies (closed loop governance)

Agenda



- The context : SOA @eBay
- Brief recap of SOA concepts and benefits
- Challenges encountered in large scale SOA deployments
- How is eBay addressing these challenges
- SOA governance and its role
- **Summary**

Summary



- Moving to SOA model certainly has its benefits, but brings along bigger challenges
- Solving the technology part is relatively easy. Operational aspects are more challenging and need to address them from the beginning
- Up front design and modeling of your contract/interface, including granularity is very important
- Service layering, dependency and version management must be well thought through
- Invest upfront on governance, Testing tools, and developer training
- eBay has been successfully able to apply this strategy and make progress in the SOA adoption journey.